

Clariflo®



WARNING: Read the instructions before using the machine.

POWER WASHER

MODEL NO: JET8500B

PART NO: 7336021

OPERATION & MAINTENANCE INSTRUCTIONS

UK
CA | CE



ORIGINAL INSTRUCTIONS

DL0126 Rev 2

INTRODUCTION

Thank you for purchasing this CLARKE Power Washer.

This pressure washer is designed for cleaning machines, vehicles, buildings, boats, facades, terraces, gardening tools, etc. by means of a high-pressure water jet (if necessary, with additional cleaning agents).

Only use accessories, replacement parts and cleaning agents recommended by CLARKE international.

Before attempting to use this product, please read this manual thoroughly.

GUARANTEE

This product is guaranteed against faulty manufacture for a period of 12 months from the date of purchase. Please keep your receipt which will be required as proof of purchase.

This guarantee is invalid if the product is found to have been abused or tampered with in any way, or not used for the purpose for which it was intended.

Faulty goods should be returned to their place of purchase, no product can be returned to us without prior permission.

This guarantee does not effect your statutory rights.

ENVIRONMENTAL RECYCLING POLICY



Through purchase of this product, the customer is taking on the obligation to deal with the WEEE in accordance with the WEEE regulations in relation to the treatment, recycling & recovery and environmentally sound disposal of the WEEE.

In effect, this means that this product must not be disposed of with general household waste. It must be disposed of according to the laws governing Waste Electrical and Electronic Equipment (WEEE) at a recognised disposal facility.

GENERAL SAFETY RULES







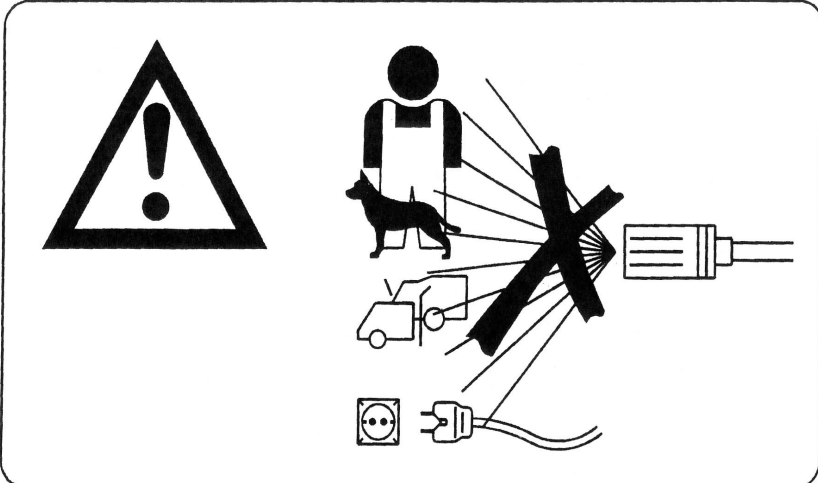


WARNING: WATER AT HIGH PRESSURE CAN BE DANGEROUS AND CAN CAUSE DAMAGE IF THE OPERATOR IS CARELESS. NEVER ALLOW ANYONE TO OPERATE THIS PRESSURE WASHER UNLESS THEY ARE FAMILIAR WITH THE SAFETY PRECAUTIONS.

1. **NEVER** direct the spray towards any person or animal.
2. **NEVER** direct the spray towards electrical wiring or equipment.
3. **NEVER** hold your finger over the high pressure nozzle.
4. **NEVER** allow children or untrained personnel to use this machine.
5. **NEVER** operate the machine with any of the covers removed.
6. **NEVER** attempt any repairs to this machine. Always refer to your CLARKE dealer.
7. **NEVER** supply any liquid other than water to the water inlet.
8. **NEVER** use the detergent bottle to introduce flammable liquids/solvents, e.g. paint thinners, petrol, oil as there is a risk of explosion.
9. **NEVER** direct the jet at electrical equipment or the machine itself.
10. **NEVER** use the pressure washer if the supply cable or important parts of the machine are damaged.
11. **ALWAYS** release any residual pressure in the system by turning off the water supply and operating the trigger before disconnecting any hose or accessory.
12. **ALWAYS** keep the machine itself dry and well clear of water spray.
13. **ALWAYS** wear protective clothing and safety glasses. Loose particles and other debris may be propelled at high speed by the water jet.
14. **ALWAYS** grip the gun firmly and expect the spray gun to 'kick' when starting.
15. **ALWAYS** respect the requirements of the local water company. Pressure washers may only be connected to the mains drinking water supply, if a system separator (known as a backflow preventer) is installed in the supply hose.
16. **ALWAYS** disconnect from the water supply, and ensure the system is completely drained when not in use. Store in a cool dry location.
17. **ONLY** use chemical cleaning agents (detergents), that are approved for pressure washers. See page 15 for the full CLARKE range of detergents.
18. **WARNING:** High pressure water jets can be dangerous if subject to misuse. The jet must not be directed at a person or anything that they are wearing.
19. **WARNING:** High pressure hoses, fittings and couplings are important for the safety of the machine. Use only hoses, fittings and couplings recommended by the manufacturer.

20. **WARNING:** Water that has flowed through a system separator (known as a backflow preventer) is considered non-drinkable.

SYMBOLS ON THE MACHINE

	<p>Read the manual before use.</p>		<p>Warning: High level of noise when in use.</p>
	<p>Wear ear protection when using this machine.</p>		<p>Wear safety glasses when using this machine.</p>
	<p>Failing to follow these instructions could result in injury or damage to the machine.</p>		<p>Conforms to UKCA & CE Regulations.</p>
			<p>The high pressure jet must not be directed at persons, animals, live electrical equipment or at the appliance itself.</p>

ELECTRICAL CONNECTIONS



WARNING: READ THESE ELECTRICAL SAFETY INSTRUCTIONS THOROUGHLY BEFORE CONNECTING THE PRODUCT TO THE MAINS SUPPLY.

Connect the mains lead to a standard, 230 Volt (50Hz) electrical supply through an approved 13 amp BS 1363 plug, or a suitably fused isolator switch.

This product may be fitted with a non-rewireable plug. If it is necessary to change the fuse in the plug, the fuse cover must be refitted. If the fuse cover becomes lost or damaged, the plug must not be used until a suitable replacement is obtained.

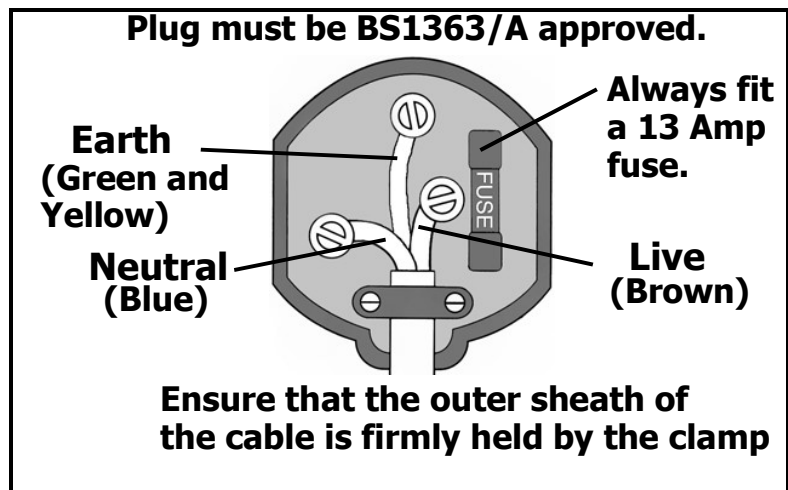
If the plug has to be changed because it is not suitable for your socket, or because of damage, it must be removed and a replacement fitted, following the wiring instructions shown below. The old plug must be discarded safely, as insertion into a power socket could cause an electrical hazard.



WARNING: THE WIRES IN THE POWER CABLE OF THIS PRODUCT ARE COLOURED IN ACCORDANCE WITH THE FOLLOWING CODE:
BLUE = NEUTRAL BROWN = LIVE YELLOW AND GREEN = EARTH

If the colours of the wires in the power cable do not agree with the markings on the plug.

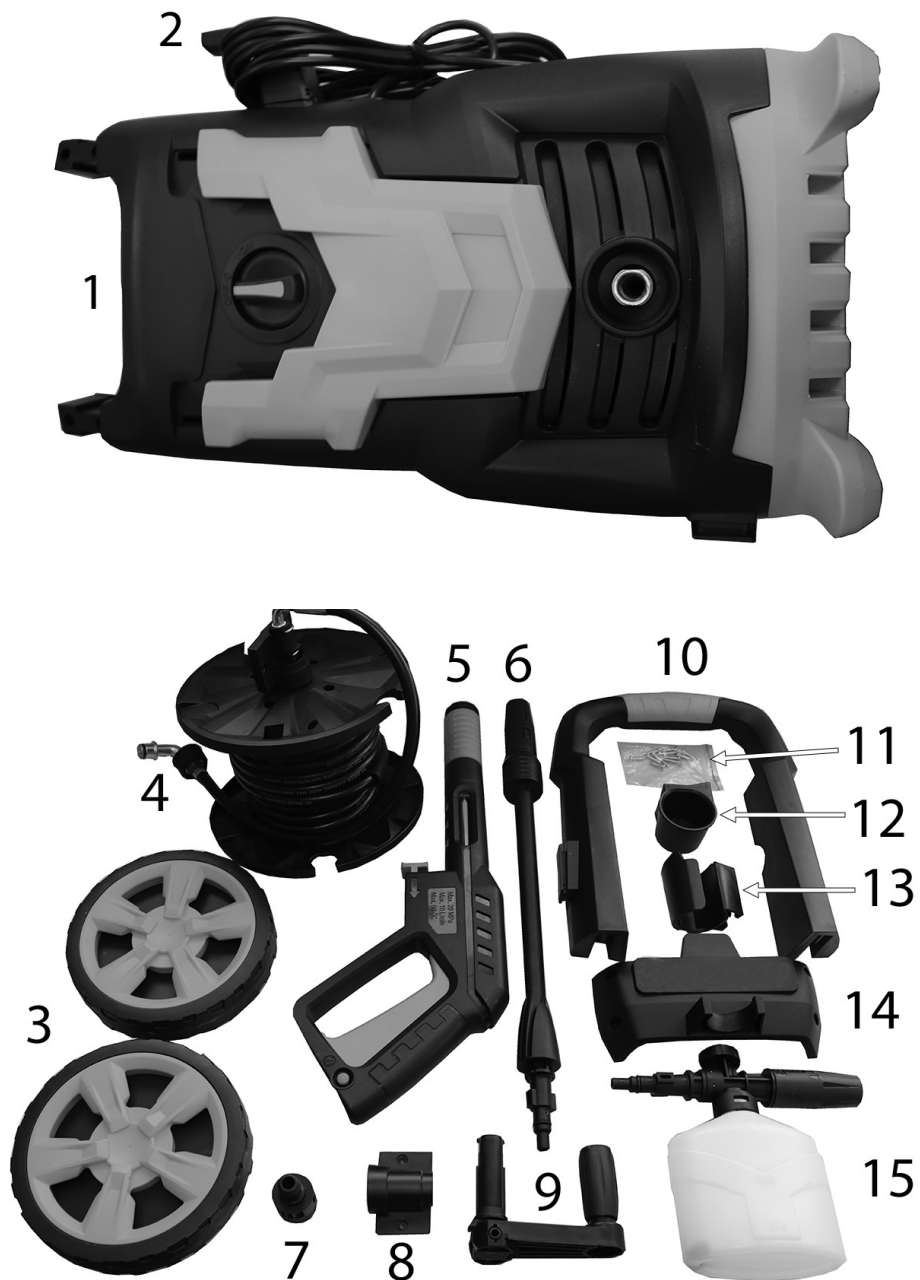
- The BLUE wire must be connected to the terminal which is marked N or coloured black.
- The BROWN wire must be connected to the terminal which is marked L or coloured red.
- The YELLOW AND GREEN wire must be connected to the terminal which is marked E or \perp or coloured green.



We strongly recommend that this machine is connected to the mains supply through a Residual Current Device (RCD)

If you are not sure, consult a qualified electrician. **DO NOT** try to do any repairs.

OVERVIEW

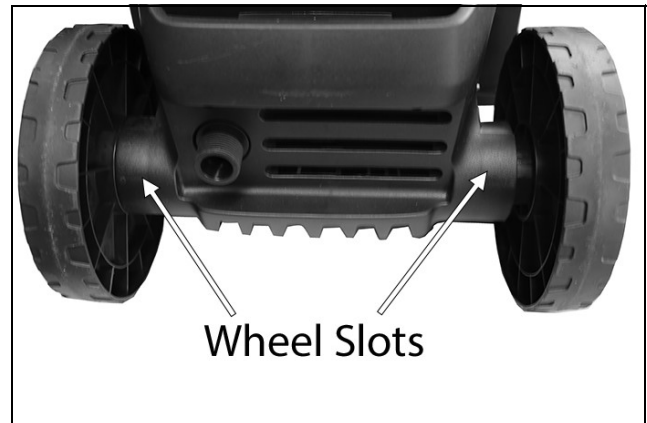


1	Main Body of Power Washer	9	Hose Spool Handle
2	Cable Holder	10	Main Handle
3	Wheels	11	Bag of Screws & Nozzle Cleaning Tool
4	Hose Spool Assembly	12	Gun Seat
5	Gun	13	Gun Bracket
6	Lance	14	Rear Shelf & Bottle Holder
7	Inlet Connector with Filter	15	Detergent Bottle
8	Hose Spool Handle Clamp		

ASSEMBLY

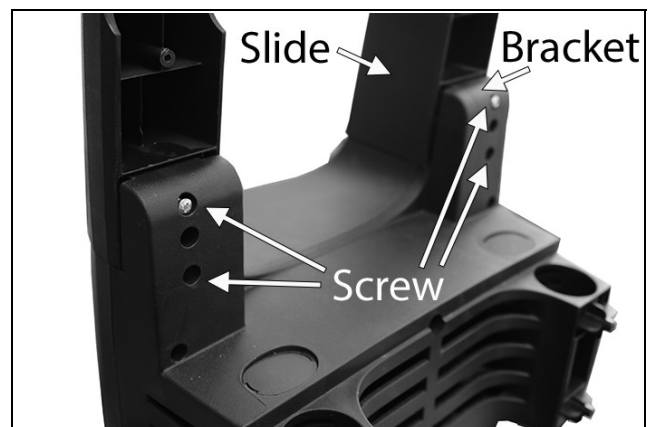
WHEELS

1. Fit the wheels into the wheel slots at the bottom of the main body.
2. Push the wheels into the slots so they sit flush.



HANDLE

1. Slide the handle onto the brackets located on top of the main body of the washer.
2. When flush with the front of the main body, using 4 screws supplied, secure the handle in place.

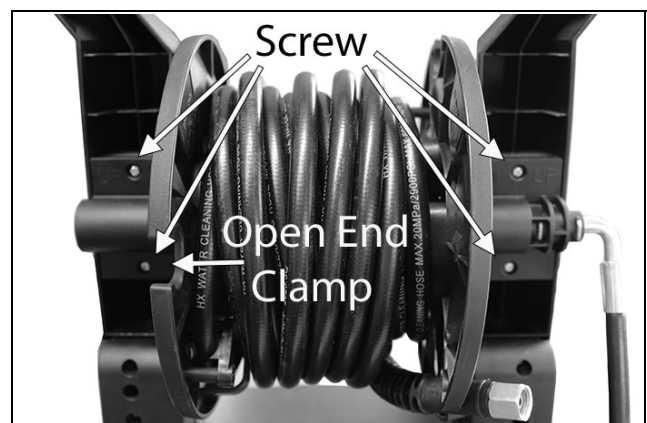


HOSE SPOOL

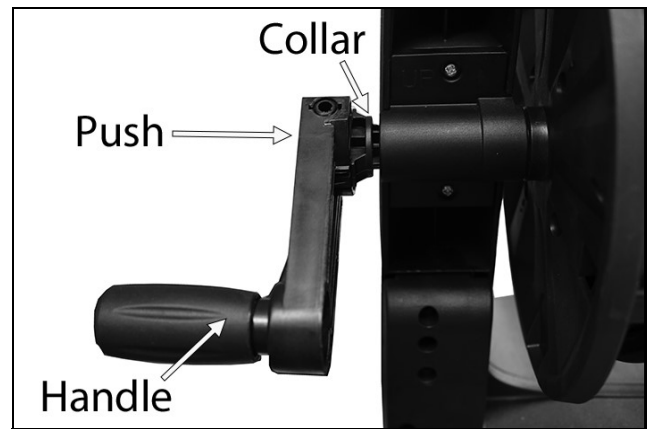
The hose spool is used to store the high pressure outlet hose when not in use.

To attach the hose spool to the handle, it may be easier if you lay the main body face down on a table or workbench. When doing so, protect the washers surface from scratches and marks.

1. Fit the open end handle clamp to the hose spool axle.
2. Place the hose spool between the handle and using the 4 screws provided, secure the clamps in position, as shown from the rear of the washer.



3. Push the hose spool handle into the open end clamp, until it sits flush with the handle collar.



4. The handle can be turned in on itself. This is so that the handle is out the way for storage and it helps lock the spool in place and the hose from unraveling.

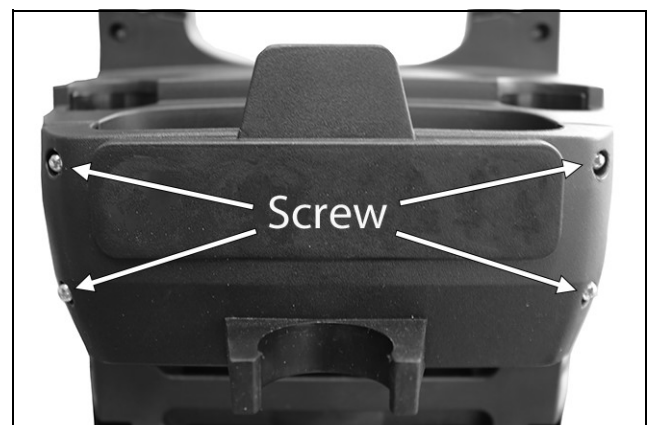


NOTE: The spool is for storing the hose when not in use. To avoid snagging or restricting the use of the washer, unspool the hose fully before attaching the gun and using the washer.

ACCESSORY HOLDERS

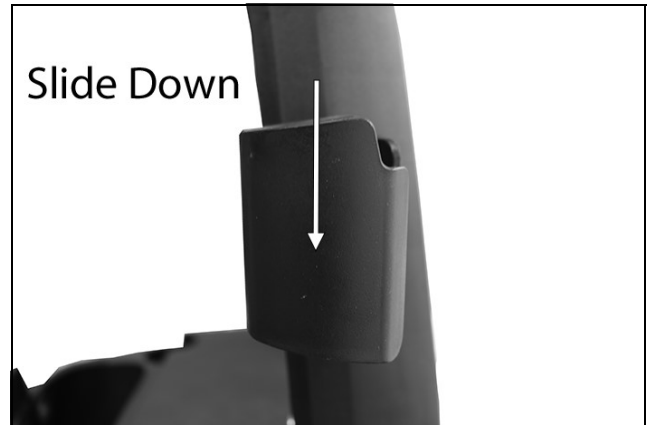
NOZZLE SHELF/DETERGENT BOTTLE HOLDER

1. Place the nozzle shelf on to the rear of the main body of the washer.
2. Using the 4 screws provided, secure the holder in position, as shown.

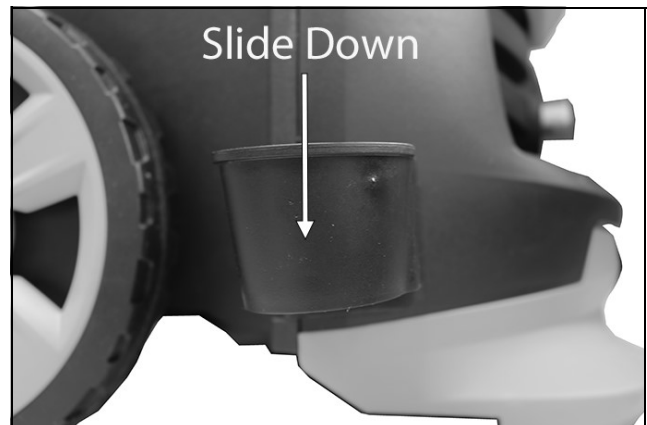


GUN BRACKET AND SEAT

1. Slide the gun bracket on to the bracket holder on the side of the washer, as shown.

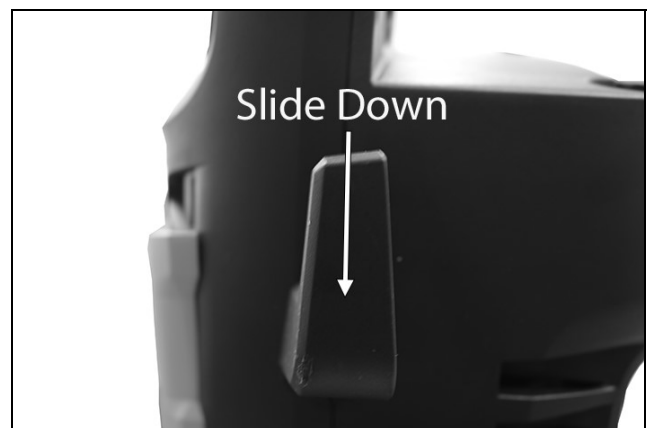


2. Slide the gun seat holder on to the bracket holder on the side of the washer, as shown.



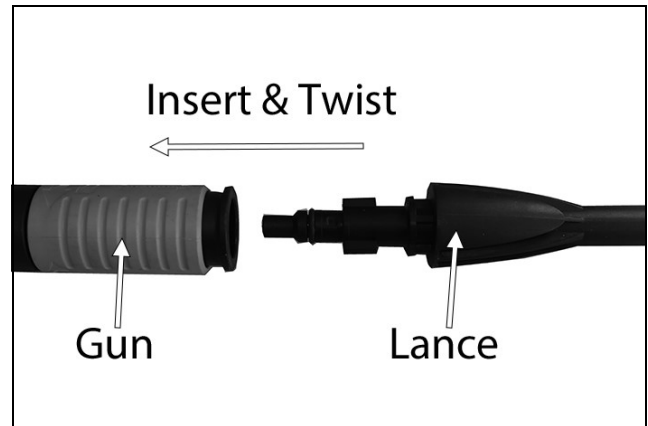
CABLE HOLDER

1. Slide the cable holder on to the bracket holder on the side of the washer, as shown.



ASSEMBLING THE SPRAY GUN & HOSE

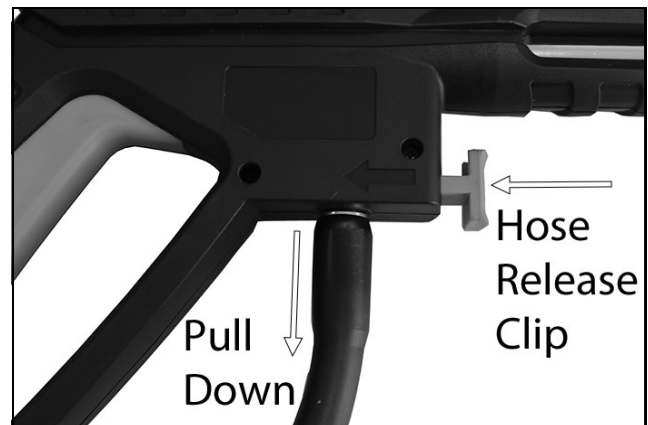
1. Insert the lance into the gun as shown and twist to lock in place.



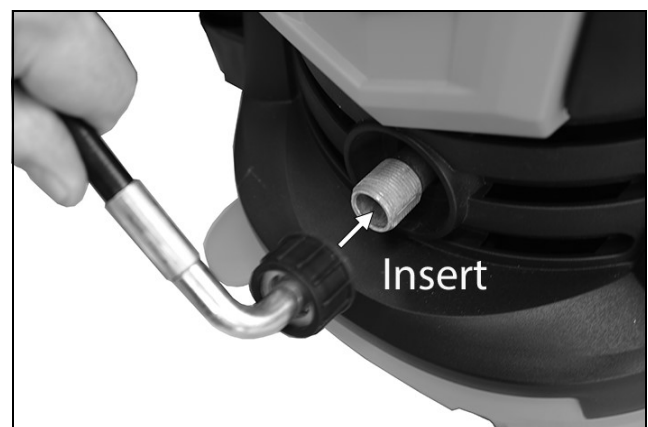
2. Insert the hose into the hose connection port on the underside of the gun, as shown.



3. To release the hose, press the hose release clip in and pull down on the hose.



4. Insert the high pressure hose into the water outlet on the front of the pressure washer as shown.



5. Hand tighten the locking sleeve fully to gain a water tight seal.



SAFETY FEATURES

THERMAL SENSOR

A thermal sensor protects the motor against overloading. The machine will restart after a few minutes, once the thermal sensor has cooled down.

GUN TRIGGER LOCK

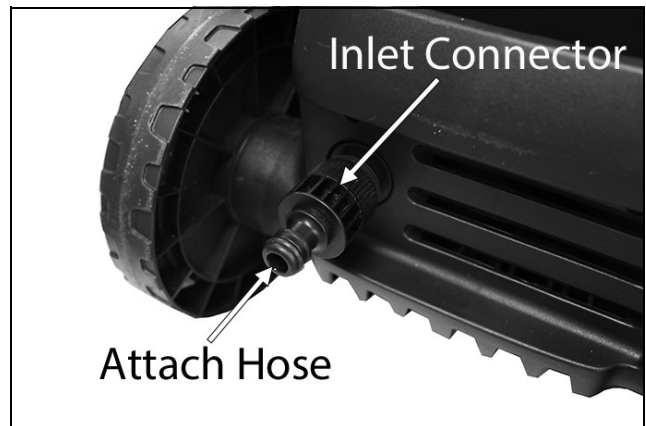
The gun trigger has a locking device, as shown. Push the button between either side of the handle to either lock or unlock the gun handle. When the button is locked the gun can not be operated. This locking device should always be in the locked position when the washer is not in use.



CONNECTING THE MAINS WATER SUPPLY

NOTE: ALWAYS follow the regulations of your local water supplier.

1. Make sure the filter is in the end of the water inlet connector.
2. Hand tighten the inlet connector to the water inlet on the front of the washer, as shown.
3. Attach the supply hose to the inlet connector.



- A standard garden hose connector or a reinforced hose with an inner diameter of at least 10 mm available from your CLARKE dealer will be suitable.
4. Connect the supply hose to the water supply.
 - The water supply must provide a maximum of 6.5 litres per minute at a maximum of 40°C.
 5. Open the water tap fully.

OPERATION

1. Turn the water supply on, making sure that the tap is fully open.



WARNING: FAILURE TO TURN ON THE WATER FULLY COULD CAUSE DAMAGE TO THE POWER WASHER INTERNAL COMPONENTS.

WARNING: DO NOT USE THE POWER WASHER IF THE SUPPLY CABLE OR IMPORTANT PARTS OF THE MACHINE ARE DAMAGED, E.G. SAFETY DEVICES, HIGH PRESSURE HOSES, TRIGGER.

WARNING: WE RECOMMEND THAT THIS MACHINE IS CONNECTED TO THE MAINS SUPPLY VIA A RESIDUAL CURRENT DEVICE (RCD).

2. Plug the mains power cable into the electricity supply.
3. Turn the power switch to the 'ON' position.



4. Move the trigger locking device to the 'UNLOCK' position.

- The pressure washer is now ready for use.

5. Make sure that you have a firm footing and are also holding the gun and spray lance firmly.

- Expect the spray gun to 'kick' when starting.



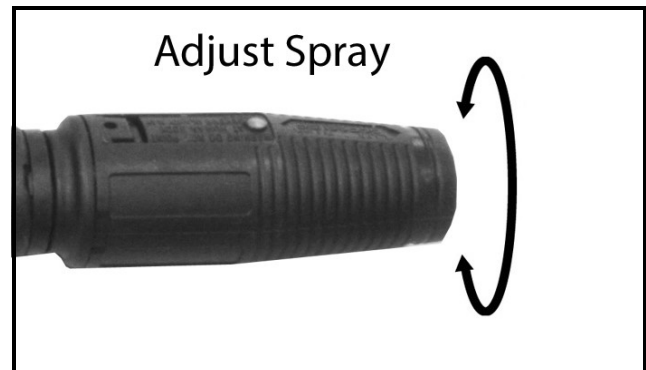
6. Pull the trigger on the gun to start water flow.

- If you release the trigger, the device will switch off again, while the system remains under high pressure.
- During longer breaks (more than 5 minutes), turn the pressure washer off. See "Shutting Down" on page 16.

7. Once the machine has been turned off, release any residual pressure in the system by turning off the water supply and operating the trigger before disconnecting any hose or accessory.

CHANGE THE SPRAY PATTERN (NARROW JET/WIDE SPRAY)

1. Hold the shaft of the lance in one hand.
2. To vary the spray between narrow and wide, turn the nozzle counter-clockwise through a half-a-turn (180°).



To change the angle the spray exits the lance, undertake the following:

1. Hold the gun and pull back the red collar on the gun.
2. Rotate the lance to the appropriate angle and release the collar.



NOTE: DO NOT adjust the spray nozzle or lance while the gun is active. **ALWAYS** turn the locking device to the 'ON' position or turn the washer off when adjusting the spray.

APPLYING DETERGENTS

To improve the cleaning performance, you can introduce chemical cleaning agents (detergents) to the water jet using the detergent bottle. This is particularly useful when washing cars, greasy engine parts, or removing oil spots on concrete etc.



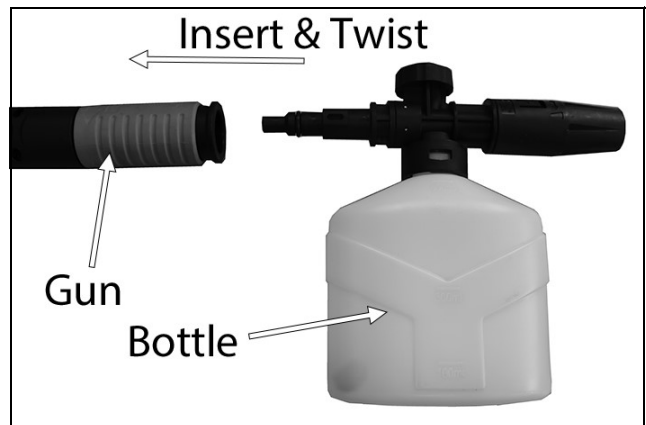
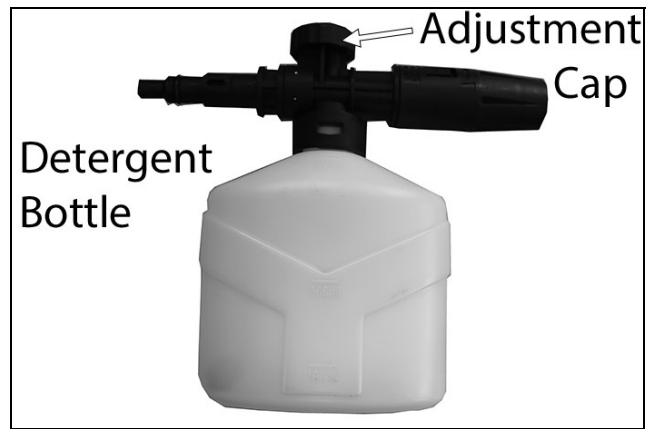
CAUTION: ALWAYS READ THE USER INSTRUCTIONS AND HEALTH AND SAFETY INFORMATION OF ANY DETERGENT YOU USE. IF YOUR EYES COME INTO CONTACT WITH ANY DETERGENT, RINSE THEM IMMEDIATELY WITH PLENTY OF FRESH CLEAN WATER AND SEEK MEDICAL ADVICE IF REQUIRED.

Detergent application:

1. Remove the cap and fill the bottle with a max. of 500ml of detergent.
 - Only use detergents recommended for use with pressure washers such as the CLARKE detergents listed on page 15, available from your CLARKE dealer.

NOTE: The amount of detergent used can be adjusted by turning the adjustment cap on top.

2. Replace the cap.
3. Remove the lance section from the gun and replace with the detergent bottle by inserting the bottle into the gun as shown and twist to lock in place.
4. Use the pressure washer as normal.



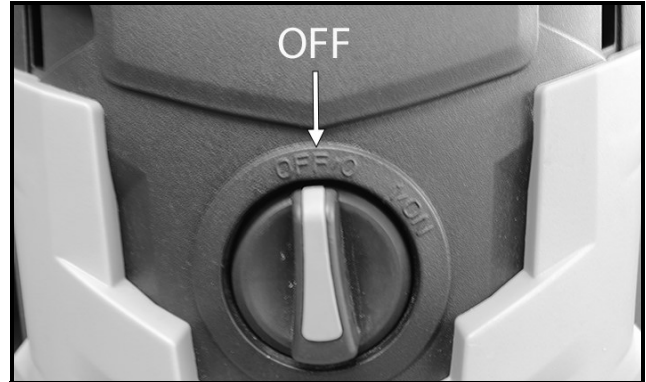
CLARKE POWER WASHER DETERGENTS

- **Concentrated Traffic Film Remover, 5 Litres.** Can be used to clean grime off all vehicles. It can also clean engines and chassis. Part Number: 3050821
- **Heavy Duty Snow Foam, 5 Litres.** Can be used to lift the toughest dirt. Suitable for off-road vehicles, tractors, trucks and motorcycles. Part Number: 3050807
- **Premium Snow Foam with Cherry Fragrance, 5 Litres.** Contains finishing gloss treatment. Contains no caustic or harmful chemicals and will easily clean and leave a premium gloss finish. Part Number: 3050806
- **Economy Snow Foam with Cherry Fragrance, 5 Litres.** Contains finishing gloss treatment. Contains no caustic or harmful chemicals and will easily clean and leave a gloss finish. Part Number: 3050805
- **Wash & Wax Car Shampoo, 2 Litres.** Penetrates dirt and grime. With added foam booster, lifts any damaging particles to leave a glossy finish on chrome and bodywork. Part Number: 3050817

SHUTTING DOWN

When you have finished using the pressure washer, follow the procedure shown below to switch off and disconnect the unit.

1. Set the power switch to the 'OFF' position.
2. Turn off the water supply at the tap.
3. Release the pressure in the machine by pulling and hold the trigger until no more water comes out of the nozzle.



4. Engage the trigger lock.
5. Disconnect from the power supply.



6. Wind the hose onto the reel and put the spray gun/lance into the holder on the power washer.

STORAGE PROCEDURE

- Disconnect from the water supply, and ensure the system is completely drained when not in use, see above.
- Store in a cool dry location.
- Avoid storing the power washer at freezing temperatures.
- Residual water in the high pressure pump or hose assembly may cause permanent damage to the components if it freezes.



MAINTENANCE

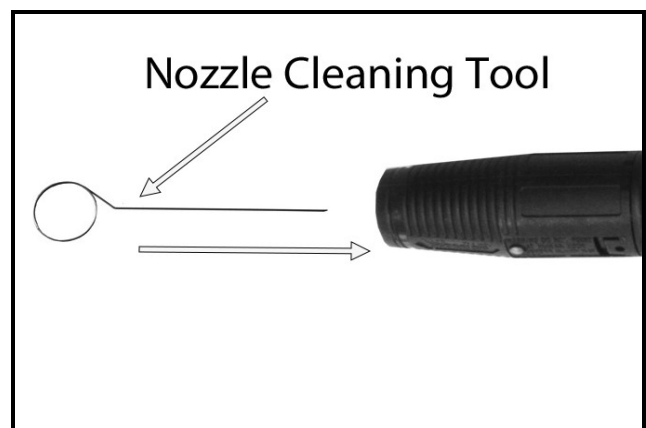


WARNING: REMOVE THE PLUG FROM THE SOCKET-OUTLET BEFORE CLEANING OR MAINTENANCE AND WHEN REPLACING PARTS

CLEANING THE NOZZLE

If the nozzle becomes partially clogged with foreign material such as dirt or limescale, excessive pressure may develop and the pump pressure will pulsate. Clean the nozzle immediately as follows:

1. Turn off the power washer and turn off the water supply.
2. Pull the trigger to relieve any water pressure.
3. Disconnect the lance from the spray gun.
4. Remove any obstructions by directing the water supply into the end of the lance for 30 seconds to back flush loose particles.
5. If flushing does not dislodge the obstruction, carefully use the nozzle cleaning tool, to clear the nozzle.
6. Reconnect the lance to the gun and turn on the water supply

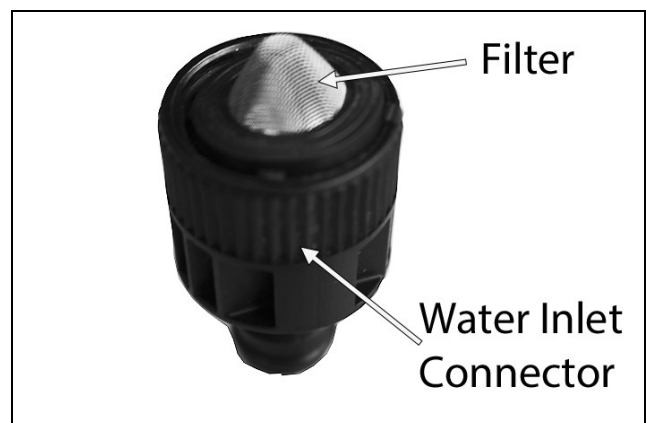


CLEANING THE WATER INLET FILTER

This filter should be checked periodically and cleaned if necessary.

1. Remove the inlet connector from the pressure washer and remove the filter.
2. Clean the filter by flushing both sides with water.
3. Replace the filter into the connector and replace the connector onto the water inlet.

NOTE: DO NOT operate the pressure washer without the filter installed.



TROUBLESHOOTING

PROBLEM	POSSIBLE CAUSE	SOLUTION
The washer will not start	The washer is not plugged in	Plug the washer in
	The plug fuse has blown	Replace the plug fuse
	Faulty extension cable (if used)	Try without extension cable or replace extension cable
Fluctuating pressure	The pump is drawing in air	Check that hoses and connections are airtight
	Valves are dirty, worn or sticking	Contact your nearest CLARKE service centre
	The water supply is not sufficient	Increase water pressure, check for blockages and/or change to a larger inlet hose
	Pump seals are worn	Contact your nearest CLARKE service centre
The washer stops	The plug fuse has blown	Replace the plug fuse
	Incorrect mains voltage	Unplug other appliances on the same circuit. Check that the mains voltage corresponds to the specifications on page 22
	Thermal sensor activated	Leave the washer to cool for 5 minutes
	Partially blocked jet	Clean the jet nozzle with the cleaning tool. Rinse nozzle
Fuse blown	Plug fuse too small	Check that the plug fuse corresponds to the specifications on page 5
	Increase in the ampage	Try using washer without an extension cable if used

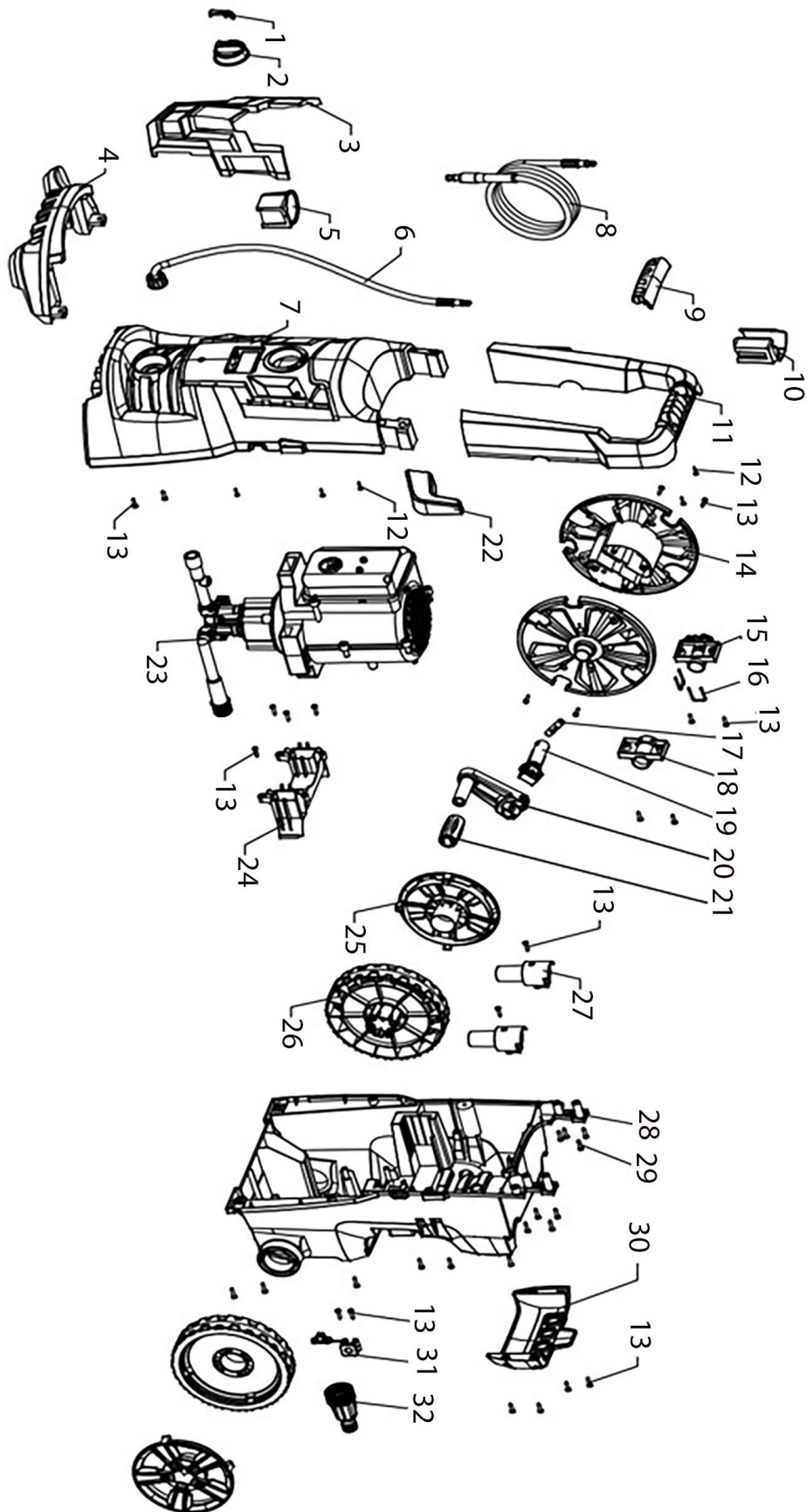
Pulsing washer	Air in the inlet hose/pump	Allow washer to run with open trigger until regular working pressure resumes
	Inadequate supply of water generated	Increase water pressure, check for blockages and/or change to a large inlet hose
	Partially blocked jet	Clean the jet nozzle with the cleaning tool. Rinse nozzle
	Water filter blocked	Clean the inlet water filter
	Folded hose	Unfold any kinks that maybe in the inlet or outlet hoses
The washer turns on and off by itself	Pump fuse and/or trigger out of order	Contact your nearest CLARKE service centre
	No water supply	Connect and/or check the inlet water supply
The washer is on but no water comes out	Water filter blocked	Clean the inlet water filter
	Blocked jet	Clean the jet nozzle with the cleaning tool. Rinse nozzle

CLARKE POWER WASHER ACCESSORIES

The following accessories can be purchased from your local CLARKE supplier to be used with this product:

- Turbo Nozzle, Part Number: 7310307
- 180 Degree Nozzle, Part Number: 7310308
- Drain Hose, Part Number: 7310309
- Small Patio Cleaner, Part Number: 7310311
- Big Patio Cleaner, Part Number: 7310312
- Pressure Brush, Part Number: 7310313

COMPONENT PARTS



COMPONENT PARTS

No	Description
1	ON/OFF Switch Strip
2	ON/OFF Switch
3	Front Cover Faceplate
4	Front Cover Baseplate
5	Gun Seat
6	Short Outlet Hose
7	Front Cover
8	Main Outlet Hose
9	Handle Grip
10	Gun Bracket
11	Main Handle
12	2 x Self Tapping Screw 3 x 14
13	4 x Self Tapping Screw 4 x 16
14	2 x Hose Spool
15	Outlet Hose Connection Bracket
16	2 x U Shaped Pin

No	Description
17	Left Winding Bracket
18	Connecting Pin
19	Winding Handle Shaft
20	Winding Handle
21	Winding Handle Grip
22	Cable Bracket
23	Induction Motor/Pump Assembly
24	Insert Hole Baffle
25	2 x Wheel Cover
26	2 x Wheel
27	Nozzle Frame
28	Back Cover
29	13 x Self Tapping Screws 4 x 18
30	Rear Shelf
31	Cable Protective Liner
32	Water Inlet Connection

PRODUCT SPECIFICATIONS

Model Number	JET 8500B
Part Number	7336021
Voltage and Frequency	230V/50Hz
Electrical Insulation Class	I
Input Power @ Rated Load	2100W
Input Current @ Rated Load	7.4A
Plug Fuse Rating	13A
Duty Cycle	S1 Continuous
IP Rating	IPX5
Working Pressure (Outlet)	110bar / 1590psi
Maximum Working Pressure (Outlet)	165bar / 2390psi
Maximum Inlet Pressure	8bar / 116psi
Maximum Output Flow Rate	7.5 l/min / 450 l/hr
Rated Output Flow Rate	6.5 l/min / 390 l/hr
Water Type	Clean Cold Water
Ambient Operating Temperature	40°C
Input Water Temperature	1°C - 40°C
Water Supply Hose Diameter	Suitable Snap Connector - 1/2" or 3/4" Hose
Water Supply Suction Depth	Less Than 1m
Detergent Bottle Capacity	500ml
Total Gun & Lance Length	800mm
High Pressure Hose Length	5m
Sound Pressure Level (L _{PA})	72.5db
Measured Sound Power Level (L _{WA})	92.5dB
Guaranteed Sound Power Level (L _{WA})	92dB
Sound Uncertainty Factor (K _{PA})	0dB
Dimensions (D x W x H)	360mm x 440mm x 950mm
Weight	15.5kg

DECLARATION OF CONFORMITY



DECLARATION OF CONFORMITY

This is an important document and should be retained.

We hereby declare that this product(s) complies with the following legislation: The following standards have been applied to the product(s):

2000/14/EC	Outdoor Noise Directive	IEC 62321-4:2013+A1:2017, EN IEC 55014-1:2021, IEC 62321-3-1:2013, IEC 62321-5:2013,
2014/30/EU	Electromagnetic Compatibility Directive	EN 60335-1:2012+A11:2014+A13:2017+A1:2019+A2:2019+A14:2019+A15:2021+A16:2023,
2006/42/EC	Machinery Directive	EN 61000-3-3:2013+A1:2019+A2:2021, EN IEC 61000-3-2:2019+A1:2021, EN 62233:2008,
2011/65/EU	Restriction of Hazardous Substances (RoHS) Directive	EN IEC 55014-2:2021, IEC 62321-7-1:2015, IEC 62321-7-2:2017, IEC 62321-6:2015,
		IEC 62321-8:2017, EN 60335-2-79:2012, EN ISO 3744:2010

The technical documentation required to demonstrate that the product(s) meet(s) the requirement(s) of the aforementioned legislation has been compiled and is available for inspection by the relevant enforcement authorities.

The UKCA mark was first applied in: 2025

Manufacturer:	Clarke International Ltd, Hemnall Street, Epping, Essex, CM16 4LG, United Kingdom	Notified Body:	N/A
Product Description:	Power Washer	Assessment Procedure:	Annex V of above noise legislation
Model Number(s):	JET 8500B	Measured LWA:	92.5 dB
Serial/Batch Number:	Refer to product/packaging label	Guaranteed LWA:	92 dB
Document Holder:	Alan Pond	Signed:	 J.A Clarke
Date of Issue:	25/04/2025		Director

JET 8500B UKCA Clarke DOC 042525

Page 1 of 1



DECLARATION OF CONFORMITY

This is an important document and should be retained.

We hereby declare that this product(s) complies with the following legislation: The following standards have been applied to the product(s):

2000/14/EC	Outdoor Noise Directive	IEC 62321-4:2013+A1:2017, EN IEC 55014-1:2021, IEC 62321-3-1:2013, IEC 62321-5:2013,
2014/30/EU	Electromagnetic Compatibility Directive	EN 60335-1:2012+A11:2014+A13:2017+A1:2019+A2:2019+A14:2019+A15:2021+A16:2023,
2006/42/EC	Machinery Directive	EN 61000-3-3:2013+A1:2019+A2:2021, EN IEC 61000-3-2:2019+A1:2021, EN 62233:2008,
2011/65/EU	Restriction of Hazardous Substances (RoHS) Directive	EN IEC 55014-2:2021, IEC 62321-7-1:2015, IEC 62321-7-2:2017, IEC 62321-6:2015,
		IEC 62321-8:2017, EN 60335-2-79:2012, EN ISO 3744:2010

The technical documentation required to demonstrate that the product(s) meet(s) the requirement(s) of the aforementioned legislation has been compiled and is available for inspection by the relevant enforcement authorities.

The CE mark was first applied in: 2025

Manufacturer:	Clarke International Ltd, Fitzwilliam Hall, Fitzwilliam Place, Dublin 2, Republic of Ireland	Notified Body:	N/A
Product Description:	Power Washer	Assessment Procedure:	Annex V of above noise legislation
Model Number(s):	JET 8500B	Measured LWA:	92.5 dB
Serial/Batch Number:	Refer to product/packaging label	Guaranteed LWA:	92 dB
Document Holder:	Alan Pond	Signed:	 J.A Clarke
Date of Issue:	25/04/2025		Director

JET 8500B CE Clarke DOC 042525

Page 1 of 1

A SELECTION FROM THE VAST RANGE OF

Clarke®

QUALITY PRODUCTS



AIR COMPRESSORS
From DIY to industrial, Plus air tools, spray guns and accessories.

GENERATORS
Prime duty or emergency standby for business, home and leisure.

POWER WASHERS
Hot and cold, electric and engine driven - we have what you need

WELDERS
Mig, Arc, Tig and Spot. From DIY to auto/industrial.

METALWORKING
Drills, grinders and saws for DIY and professional use.

WOODWORKING
Saws, sanders, lathes, mortisers and dust extraction.

HYDRAULICS
Cranes, body repair kits, transmission jacks for all types of workshop use.

WATER PUMPS
Submersible, electric and engine driven for DIY, agriculture and industry.

POWERTOOLS
Angle grinders, cordless drill sets, saws and sanders.

STARTERS/CHARGERS
All sizes for car and commercial use.



PARTS & SERVICE: 0208 988 7400

Parts Enquiries
Parts@clarkeinternational.com

Servicing & Technical Enquiries
Service@clarkeinternational.com

SALES: UK 01992 565333 or Export 00 44 (0)1992 565335

Clarke INTERNATIONAL Hemnall Street, Epping, Essex CM16 4LG
www.clarkeinternational.com